

READER

IR-60E

ACTIVE TAGS

AVT-159

IB-44EX

WARRANTY

The IR-60E, IB-44EX and AVT-159 are warranted against defects in material and workmanship for a period of 3 years, commencing with the date of shipment. See complete warranty statement for further details.

The IR-60E, IB-44EX and AVT-159 products are Year 2000 Ready. The read range is stated in an undisturbed electrical environment with the tag parallel to the loop, mounted away from metal. Optional spacer is recommended for metal mounted applications. Read range is degraded when mounted in close proximity to metal. Observed read range may vary.

Specifications subject to change without notice. Motorola reserves the right to discontinue any product without notice.

Come visit our web site at www.motorola.com/smartcard

1301 East Algonquin Road, Schaumburg, Illinois 60196 USA

San Jose Office
3041 Orchard Parkway, San Jose, California 95134 USA
Toll Free: (800)779-8663
Tech Support: (800)646-3252
Phone: (408)383-4000
Fax: (408)434-7057

United Kingdom
Phone: +44 (0) 1256-358211
Fax: +44 (0) 1256-488144

France
Phone: +33 (1) 53 78 18 39
Fax: +33 (1) 53 78 18 02

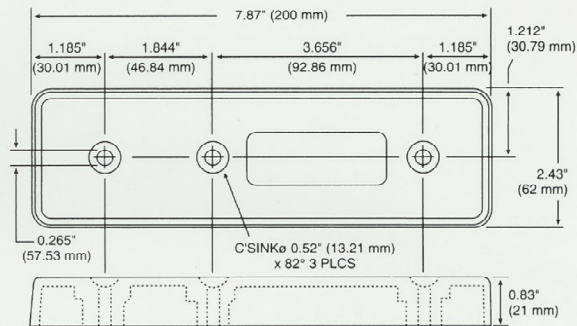
Motorola is an equal opportunity/affirmative action employer.

® and Motorola are registered trademarks of Motorola, Inc., © 1999
Advantage Series Proximity is a trademark of Motorola, Inc. and/or
India Corporation. All other trademarks are the property of their respective owners.
Produced by Marketing Communications Printed in the U.S.A.

R3-80-1024

MOTOROLA LONG RANGE VEHICLE IDENTIFICATION

When mounted to the undercarriage of a vehicle, these active vehicle identification tags can be read by the in-road mounted reader, model IR-60E, at distances up to 32 inches (81 cm) and speeds up to 25 mph (40 kph). When mounted to the side of a vehicle or object, these tags can be read by either the IR-36E or ASR-136 at distances up to 8 feet (2.4m).



AVT-159 / IB44EX with Spacer

SPECIFICATIONS

Size:

IR-60E Enclosure	12" x 10" x 6" (305 mm x 254 mm x 152 mm)
Loop	72" x 18" (1830 mm x 460 mm)
IB-44EX	2.43" x 7.87" x 0.83" (62 mm x 200 mm x 21 mm)
AVT-159	2.43" x 7.87" x 0.83" (62 mm x 200 mm x 21 mm)

Weight:

IR-60E	5.2 lbs (2.4 kg)
IB-44EX	0.8 lb (0.4 kg)
AVT-159	0.6 lb (0.3 kg)

Read Range:

IR-60E	Up to 32" (81 cm)	AVT-159	Up to 32" (81 cm)
IR-36E	Up to 8" (2.4m)		Not applicable
ASR-136	Not applicable		Up to 8" (2.4m)

Input Power:

Reader Electronics	IR-60E
DC Current Draw	24 VDC
Power Supply	300 mA, nominal
	100 to 240 VAC (50 Hz or 60 Hz)

Operating Temperature:

IR-60E	Electronics	Loop
IB-44EX	-32°F to +149°F (0°C to +65°C)	-22°F to +149°F (-30°C to +65°C)
AVT-159	-22°F to +149°F (-30°C to 65°C)	
	-4°F to +140°F (-20°C to 60°C)	

Output Formats:

IR-60E	Industrial format, Wiegand and ABA Track II Magnetic Stripe; others available upon request
IB-44EX	Industrial format (10617 40-bit only)
AVT-159	Wiegand and ABA Track II Magnetic Stripe; others available upon request

Frequency:

IR-60E	125 kHz (excitation)
IB-44EX	62.5 kHz (return)
AVT-159	62.5 kHz (return)

CERTIFICATIONS

Designed to comply with BZT, CE, DTI, FCC, PTT, UL and VDE requirements.



MOTOROLA

Worldwide Smartcard Solutions Division