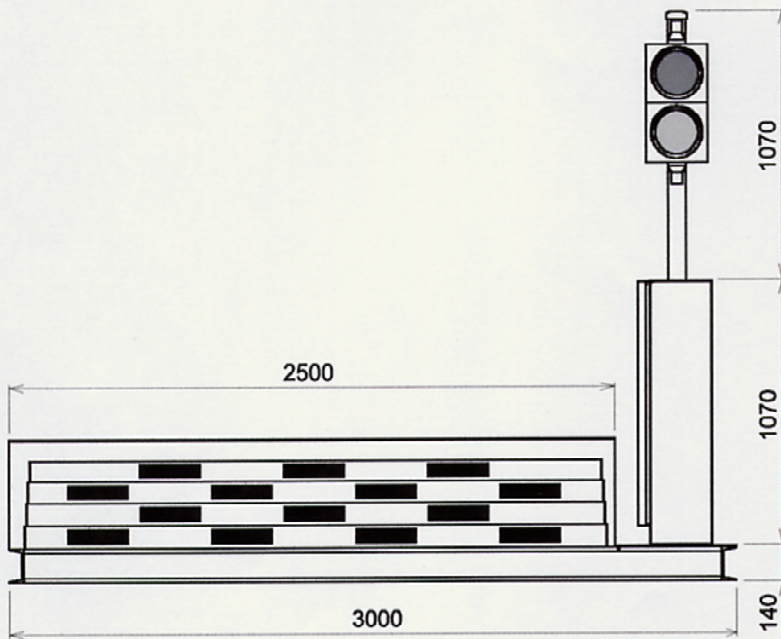
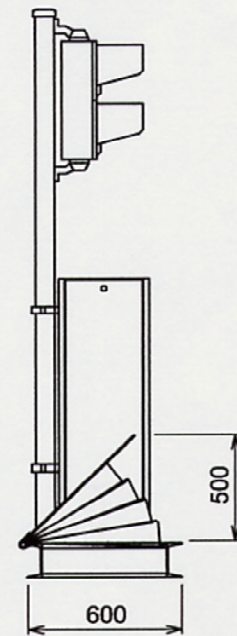


DIMENSIONS



DIMENSIONS



TECHNICAL PARAMETERS:

<i>Total length</i>	3000 mm
<i>Length of obstacle</i>	2500 mm
<i>Height of obstacle</i>	500 mm
<i>Weight</i>	500 kg
<i>Load</i>	2 t 2 tons
<i>per axle</i>	
<i>Operating speed</i>	3 sec.
<i>Motor</i>	230V AC
<i>Motor power</i>	550 W
<i>Duty cycle</i>	100%
<i>Temperature</i>	-30°C - +80°C